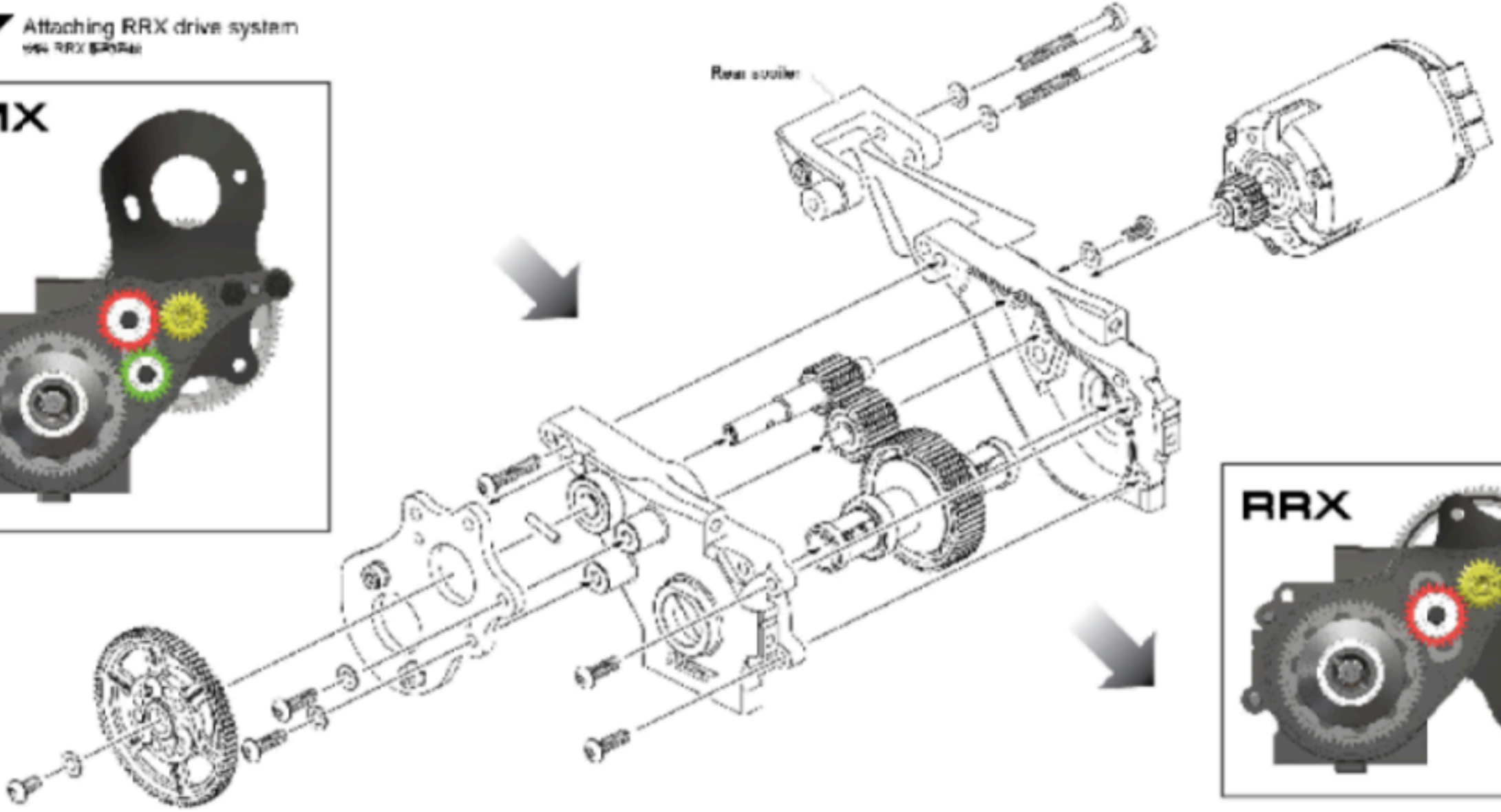
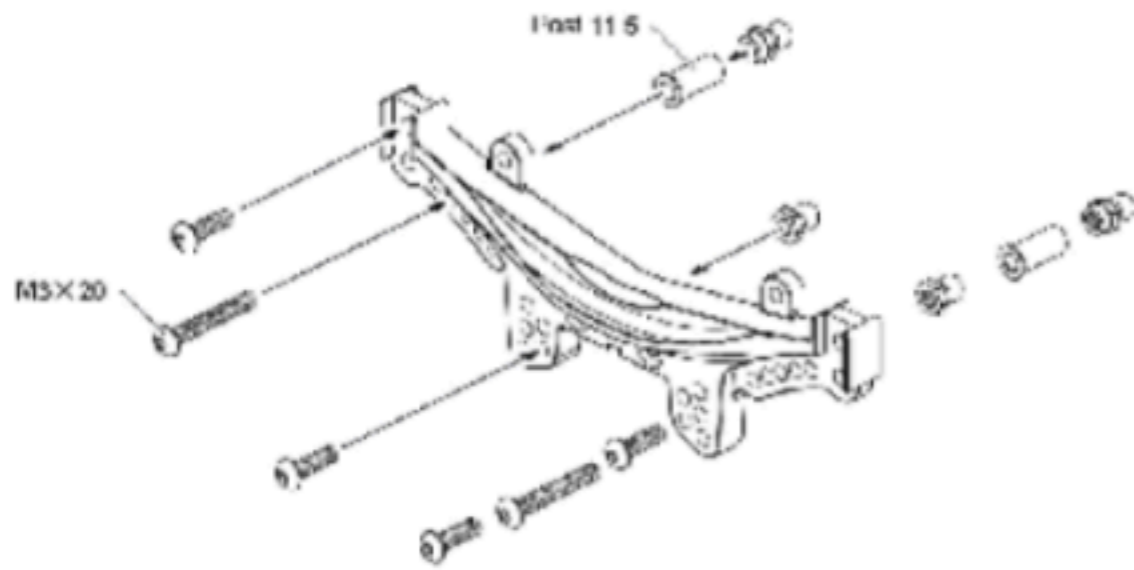


**STEP 1** Attaching RRX drive system



**STEP 2** Attaching damper stay set



**STEP 3** Attaching drive system

